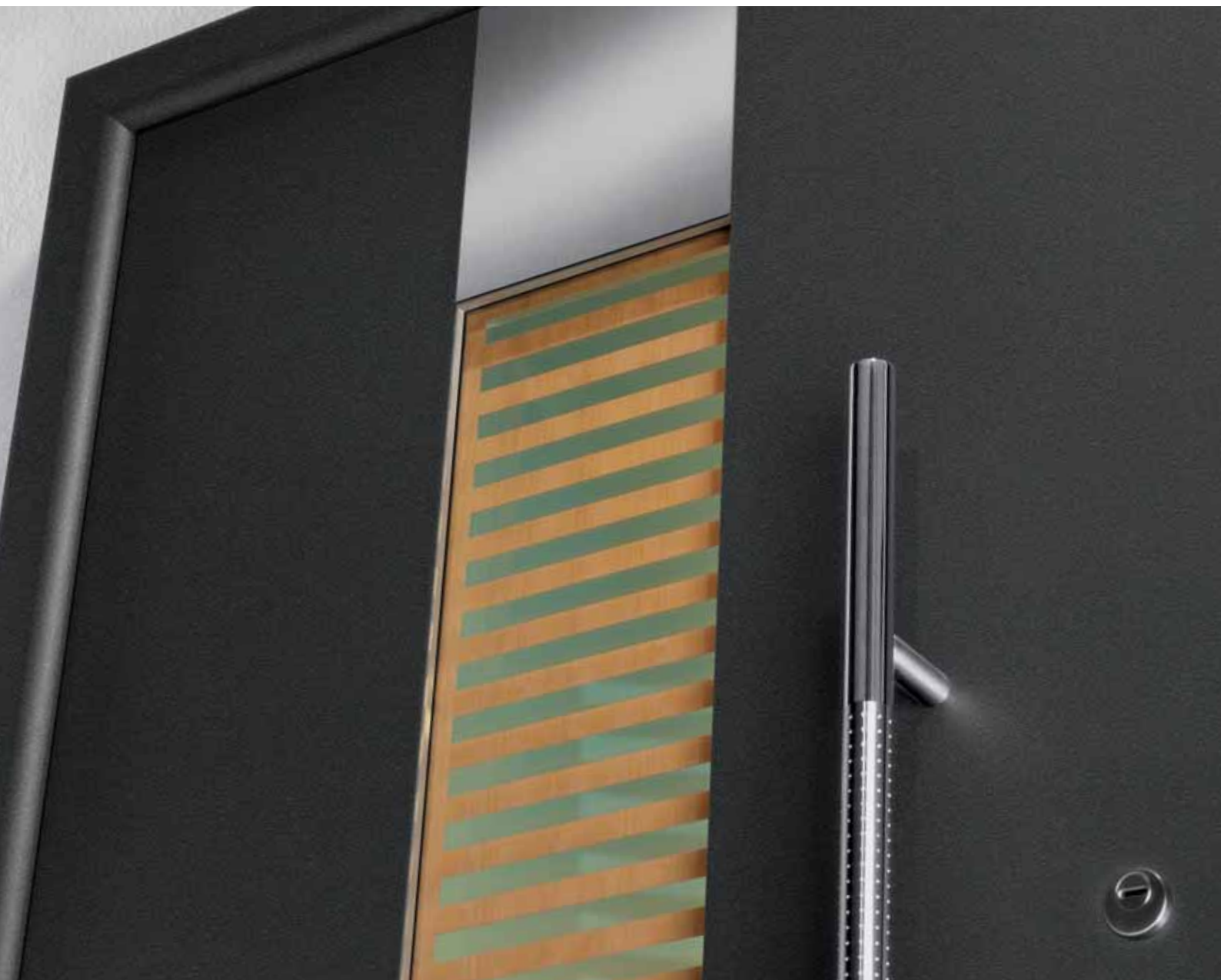


// **TopPrestigePlus: Better Thermal Insulation
with an Elegant Appearance**



Aluminium Entrance Doors

TopComfort and TopPrestige





Hörmann entrance doors are protected by copyright. Subject to technical changes and further developments as well as variations in colour and design.

No part of this brochure may be reproduced without our permission.

Hörmann aluminium entrance doors ...

Your homes front door reflects your ideals for taste, function, comfort, and security and is thus the main architectural focus, as well as an eye-catcher.

As the most used and stressed entrance element, it is exposed to wind and weather and, as a result, extreme demands. Additionally, it provides you with security that prevents unlawful access.

On the following pages in this catalogue, Hörmann offers a comprehensive range of entrance doors in the series TopComfort, TopPrestige and TopPrestigePlus, all in various designs and versions, but with the same high quality in every detail. We do, however, pay special attention to the topics of security, comfort, and thermal insulation at all times.

We hope that we are able to give some ideas and look forward to you contacting your local specialised dealer to make your dream come true.





... with comfort and security

Thermal insulation

Hörmann aluminium entrance doors

lower your heating costs:

Hörmann entrance doors have excellent insulation. That means the highest level of thermal insulation thanks to an aluminium profile system. They are completely sealed and comply with the requirements in the Energy Saving Regulation (EnEV).

Acoustic-rated

Hörmann aluminium entrance doors

provide excellent sound insulation.

You can enjoy a substantially quieter life with a Hörmann entrance door.

Protection against weathering

Hörmann aluminium entrance

doors are watertight

under heavy rain and, thanks to an all-round flexible sealing, are ready for any kind of weather, no matter if it's storms, rain, or snow.

Security

Hörmann aluminium entrance doors

provide more security:

The best possible protection, particularly in the entrance area, through standard features: Exterior security rose, profile cylinder protected against drilling and twisting off, solid stainless steel security bolts, strong-holding hinges, stable lock plates and special circular locks.

Contents

Quality Page 6/7

Overview 8/9

Programme 10/59

Colours 60/61

Glass 62/63

Handles 64/65

Rail doors/letter boxes 66/69

Canopies 70/71

Technology 72/75

Doors and gates 76/77

Renovations 78/79

Fast-track programme

Vario programme

Aluminium entrance door systems with exclusive quality and equipment

You can choose between three Hörmann entrance door styles that change the appearance of the door considerably.

TopComfort and TopPrestige

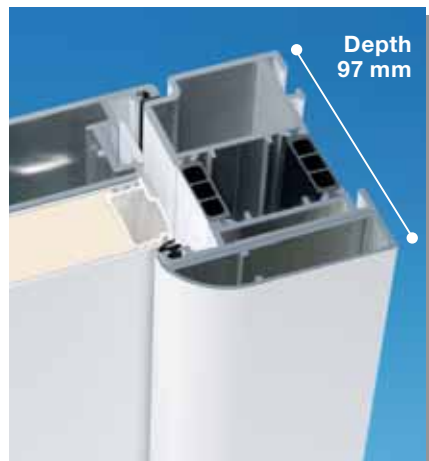
Single-leaf entrance doors with the shown handles, locks, and equipment variants,

as well as the described type of glass (except for styles 100, 101 and 203), version in white RAL 9016, 15 styles also in Hörmann's exclusive colour CH 703 and 4 styles in Hörmann Decograin® Golden Oak surface

Max. dimensions:

With aluminium infills (TC, TP)
1250 x 2250 mm (W x H),
With plastic infills (TC)
1150 x 2250 mm (W x H).

Rounded fascia frame (optional)***



TopComfort and TopPrestige

TopComfort and TopPrestige entrance doors are available with a fixed side element and/or transom light and/or letter box system,

as well as in styles 100, 101 and 203 with insulated glass in the side element/transom light as described below:

Exterior/interior

Clear laminated safety glass/clear float glass
Parsol bronze/
Chinchilla white
Clear laminated safety glass/Gothic white
Clear laminated safety glass/Mastercarré
Clear laminated safety glass/Masterpoint
Clear laminated safety glass/Parsol grey
Antelio silver/clear laminated safety glass
Antelio silver/float glass
Sand-blasted
Clear laminated safety glass/float glass*
Clear laminated safety glass/Parsol grey*
Clear laminated safety glass/Pave
Clear laminated safety glass/Satinato
Stopsol blue/clear laminated safety glass
Clear laminated safety glass/Stopsol grey*
Clear laminated safety glass/Stopsol blue*
Clear laminated safety glass/Reflo**
Clear laminated safety glass/Madras Silk
Clear laminated safety glass/clear laminated safety glass
Clear laminated safety glass/Chinchilla

Available dimensions:

Max. width:
According to current Hörmann price list, but with side elements with aluminium infills (TC, TP) 1050 mm, plastic infills (TC) 950 mm

Max. height:
2250 mm without transom light, 2400 mm with transom light (horizontal profile construction)
2800 mm with transom light (coupled).

- * Fully sand-blasted
- ** See price list for maximum height
- *** Standard with Decograin® Golden Oak surface

TopComfort

Infill style in leaf rebate

45 TC Exterior view



The infill style is embedded in the entrance door leaf rebate and the entrance door leaf profile is always visible from the outside.

45 TC Interior view



Rounded, mitred glazing bead with seal for interior infill design.



Advantages of TopPrestigePlus

- Exclusive appearance through a special version covering the entire door leaf
- Slim, elegant guide rollers
- **Extremely improved thermal insulation through standard triple-pane thermal insulation glass.**
($U_g = 0.5-0.7 \text{ W/m}^2\text{K}$)
- **TopPrestigePlus doors are ideally suited for low-energy houses.**
- **You save on heating costs.**

TopPrestige

Infill covers the exterior leaf

45 TP Exterior view



The entrance door leaf profile is fully covered on the outside by the infill. The leaf profile is not visible from the outside with this exclusive version that covers the entire door leaf.

45 TP Interior view



Uniquely constructed all-round, rounded, slim door leaf profile without glazing bead and without a visible infill seal on the interior.

TopPrestigePlus

Infill covers the full exterior and interior of the leaf

45 TPP Exterior view



The entrance door leaf profile is fully covered on the outside by the infill. The leaf profile is not visible from the outside with this exclusive version that covers the entire door leaf.

45 TPP Interior view



Door leaf profile also not visible on the inside.

TopPrestigePlus

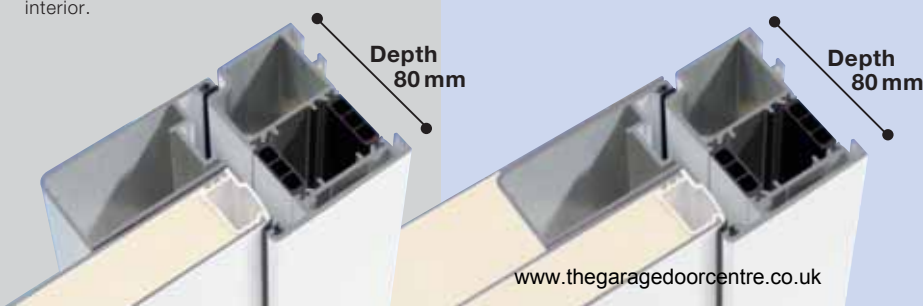
For single-leaf TopPrestigePlus entrance doors, also with fixed side elements and transom lights, with the shown handles, locks, and equipment variants, as well as the described type of glass. Version in white RAL 9016 and the shown styles in CH 703 and Golden Oak.

Max. dimensions:

1200 x 2200 mm (W x H), side element and transom light glazing as in TopComfort/TopPrestige, but with insulated thermal glass (triple pane).



Slim guide rollers in white RAL 9016.



All Standard entrance doors at a glance TopComfort, TopPrestige



2 TC Page 36



3 TP Page 36



40 TP Page 46



40 TP Page 47



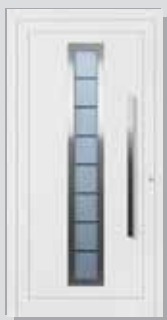
40-8 TP Page 48
40-9 TP



40-9 TP Page 49
40-8 TP



41 TC Page 17



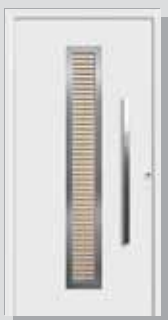
65 TC Page 21



65-8 TP Page 23
65-9 TP



65-8 TP Page 22



65-9 TP Page 22



74 TC Page 59



75 TC Page 35



75 TP Page 35



166 TP Page 45



170 TP Page 42



173 TC Page 43



174 TP Page 18



177 TP Page 19



182 TP Page 10



185 TP Page 39



650 TP Page 31



650 TP Page 31



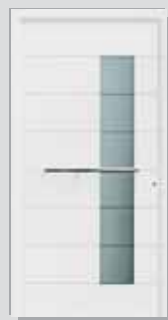
650-8 TP Page 32
650-9 TP



650-9 TP Page 32
650-8 TP



659 TP Page 24



667 TP Page 27



667-5 TP Page 27



686 TP Page 37



689 TP Page 25



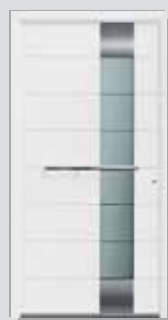
693 TC Page 41



694 TP Page 50



694 TP Page 51



697 TP Page 26



697-5 TP Page 27

and TopPrestigePlus.



45 TC Page 12



45-5 TP Page 14



45-5 TP Page 15



47 TP Page 16



62 TP Page 34



65 TP Page 20



65 TC Page 21



76 TC Page 57



100 Page 68



101 Page 68



110 TP Page 44



136 TP Page 45



140 TP Page 44



165 TP Page 39



188 TP Page 11



203 Page 66



402 TP Page 52



413 TP Page 52



437 TC Page 56



449 TC Page 55



611 TC Page 58



675 TP Page 51



676 TP Page 30



677 TP Page 54



680 TP Page 28



680 TP Page 29



680-8 TP Page 33



680-9 TP Page 33



700 TP Page 21



827 TC Page 59



860 TP Page 38



861 TP Page 40



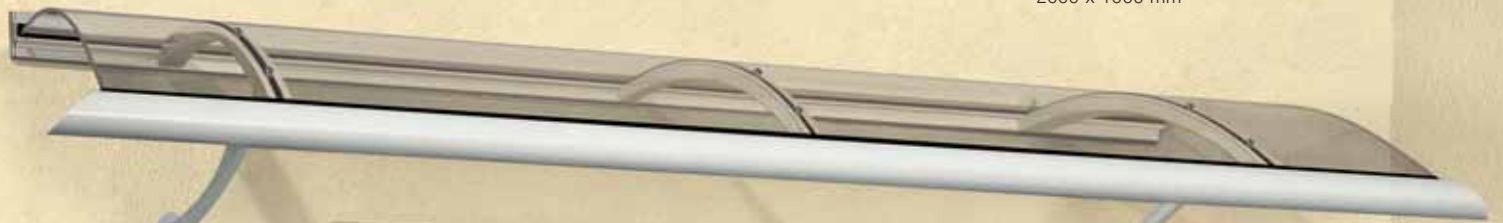
861 TP Page 41



866 TP Page 39

605

Aluminium canopy
in white RAL 9016
including acrylic glass
Dimensions
2000 x 1000 mm



3



182 TP

TopPrestige
as shown

182 TC

TopComfort
not shown



Stainless steel handle
HÖ 100 on aluminium infill.
Insulated glass, exterior
laminated safety glass,
interior Satinato white.



**188 TP**

TopPrestige
without side
elements

188 TC

TopComfort
as shown above

188 MG

Side element with
design glass infill
188 MG, exterior clear
laminated safety glass,
interior Stopsol grey,
sand-blasted with clear
horizontal stripes.



Stainless steel handle HÖ 100 on aluminium infill.
Insulated glass, exterior clear laminated safety glass,
interior Stopsol grey with sand-blasted stripes.

Optimum thermal insulation and
an exclusive appearance with
TopPrestigePlus entrance doors
thanks to an interior and exterior
infill design that covers the entire
leaf.



45 TC

TopComfort
as shown on
page 13 without side
elements

45 TP

TopPrestige
as shown on right
without side
elements



45 MG

Door and side elements
with exterior clear laminated
safety glass, interior Parsol
grey, sand-blasted with clear
horizontal stripes.
Side element with design
glass infill 45 MG and
stainless steel base plate
(optional).

Stainless steel handle
HÖ 200 on aluminium infill
with stainless steel base
plate.



605

Aluminium canopy in
Hörmann finish CH 703
including acrylic glass
Dimensions
2000 x 1000 mm

45-5 TP

TopPrestige as
shown in Hörmann
finish CH 703
Interior in white
RAL 9016

Stainless steel handle
HÖ 200 on aluminium infill.
Insulated glass, exterior
clear laminated safety glass,
interior sand-blasted float
glass with clear horizontal
stripes.





45-5 TP

TopPrestige as shown in Hörmann Decograin® Golden Oak surface, with rounded fascia frame as standard, interior white RAL 9016

Stainless steel handle HÖ 200 on aluminium infill. Insulated glass, exterior clear laminated safety glass, interior sand-blasted float glass with clear horizontal stripes.



47 TP

TopPrestige
as shown on right

47 TC

TopComfort
as shown on
left without side
elements

47 TC

Possible to pre-install
letter boxes, intercom
mesh, bell and light
buttons in the side
element.
See page 69 for a more
detailed description.



Side elements incl. insulated glass, exterior clear laminated safety glass, interior Parsol grey, sand-blasted with clear edge on handle side. Stainless steel handle HÖ 100 on aluminium infill.



Stainless steel handle HÖ 100 on aluminium infill. Insulated glass, exterior clear laminated safety glass, interior Parsol grey, sand-blasted with a clear edge.

On-site canopy

41 TC

TopComfort
as shown, without
side element

41 TP

TopPrestige
not shown

Stainless steel handle
HÖ 100 on aluminium
infill. Insulated glass,
exterior laminated safety
glass, interior Parsol
grey, sand-blasted with
a clear edge and large-
surface stainless steel
embellishment.



Stainless steel handle HÖ 500 on aluminium infill.
Insulated glass, exterior laminated safety glass,
interior semi-clear Stopsol grey, half clear, half sand-blasted..

174 TP

TopPrestige
as shown
without side
elements

174 TC

TopComfort
not shown





177 TP

TopPrestige as shown, without side element

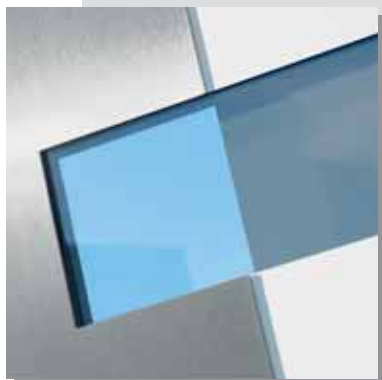
Stainless steel handle HÖ 700 on aluminium infill with stainless steel base plate. Insulated glass, exterior clear laminated safety glass, interior Pave white.

Optional:

Possible to pre-install letter boxes, intercom mesh, bell and light buttons in the side element. See page 69 for a more detailed description.

177 TC

TopComfort not shown



Detail of style 174



Detail of style 177, lit from inside.



65 TP

TopPrestige as shown in Hörmann Decograin® Golden Oak surface, with rounded fascia frame as standard, interior in white RAL 9016

Stainless steel handle HÖ 600 on aluminium infill.

Insulated glass, exterior laminated safety glass, interior sand-blasted float glass with clear horizontal stripes.



700 TP

TopPrestige with design glass side elements 700 MG.



65 TP

TopPrestige as shown, without side elements, in Hörmann finish CH 703, interior in white RAL 9016

Style 65 TP

TopPrestige with design glass side elements 65 MG. Insulated glass, exterior laminated safety glass, interior sand-blasted float glass with clear horizontal stripes.



65 TC

TopComfort as shown in white RAL 9016

65 TP TopPrestige not shown

Stainless steel handle HÖ 600 on aluminium infill.
Insulated glass, exterior laminated safety glass, interior sand-blasted float glass with clear horizontal stripes.



700 TP

TopPrestige as shown

700 TC
TopComfort not shown

Stainless steel handle HÖ 600 on aluminium infill.
Special glazing: Exterior single-pane safety glass with all-round bevelled cut glass and printed edge, interior Reflo with fluted glass ornamentation.



65-9 TP

TopPrestige
Shown with
rounded fascia
frame (optional).



65-8 TP
TopPrestige

Shown with rounded fascia
frame (optional).

Styles 65-8 and 65-9
with stainless steel handle
HÖ 600 on aluminium infill,
insulated glass, exterior
laminated safety glass with
real wood inlay, interior
clear float glass.

Style 65-8
Canadian Maple wood
inlay.

Style 65-9
Black Cherry wood inlay.



65-8 TP

TopPrestige in Hörmann
finish CH 703

Shown with rounded
fascia frame (optional).
Interior in white
RAL 9016



65-9 TP

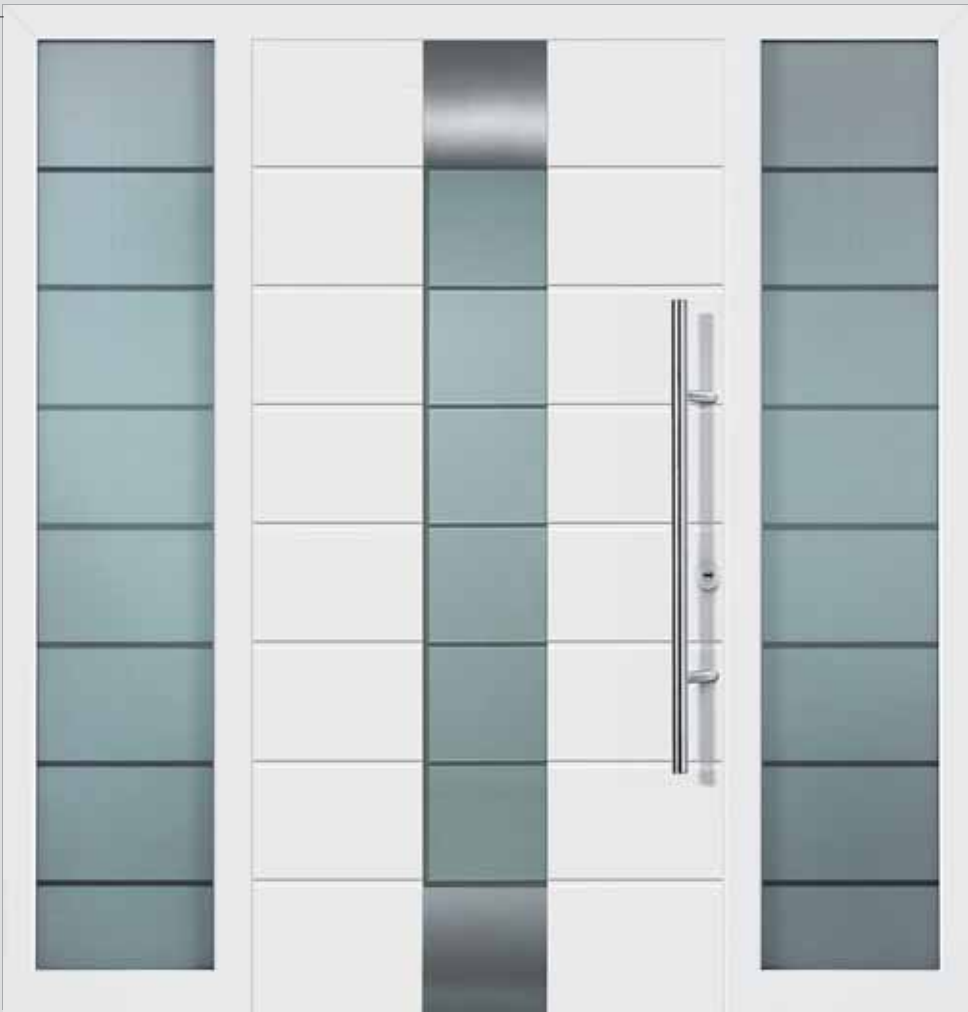
TopPrestige in Hörmann
finish CH 703

Shown with rounded
fascia frame (optional).
Interior in white
RAL 9016

659 TP

TopPrestige
as shown on
without side
elements

659 TC
TopComfort
not shown



38-1

Exclusive
stainless steel
handle as a
high-quality
alternative to
handle 38-2.

Handle 38-2
Insulated glass, exterior laminated
safety glass, interior sand-blasted
Parsol grey and clear horizontal
stripes.

659 MG

Side element with design glass thermal
insulation infill, exterior laminated
safety glass, interior Parsol grey with
clear horizontal stripes.



505

Aluminium canopy in RAL 9016 including acrylic glass
Dimensions (mm)
2000 x 1000

689 TP

TopPrestige as shown on left

689 TC

TopComfort as shown below without side element

Handle 38-2

Aluminium infill with stainless steel base plate.

689 MG

TopComfort with design glass side element 689 MG.
Door and side element with insulated glass, exterior clear laminated safety glass, interior Parsol grey, sand-blasted with clear horizontal stripes.



105

Stainless steel canopy
including acrylic glass
Dimensions (mm) 1600 x 900

Not shown, as in 105
Dimensions (mm) 2000 x 1000



697 TP

TopPrestige
Shown with rounded
fascia frame
(optional)

697 TC
TopComfort
not shown

Stainless steel handle HÖ 900 on aluminium infill
Insulated glass, exterior laminated safety glass,
interior sand-blasted Parsol grey with clear horizontal stripes.



667 TP

TopPrestige
Shown with rounded
fascia frame
(optional).



667-5 TP

TopPrestige
in Hörmann finish
CH 703, interior
white RAL 9016
Shown with rounded
fascia frame
(optional).

667 TC
TopComfort
not shown

Stainless steel handle HÖ 900 on aluminium infill
Insulated glass, exterior laminated safety glass,
interior sand-blasted Parsol grey with clear
horizontal stripes.

667-5 TP and 697-5 TP
TopPrestige, insulated glass, exterior
laminated safety glass, interior sand-blasted
float glass with clear horizontal stripes.

697-5 TP
TopPrestige
as shown without
side elements in
Hörmann finish
CH 703, interior
white RAL 9016
Shown with rounded
fascia frame
(optional).



Right illustration

680 TP

TopPrestige
as shown without
side elements in
white RAL 9016

680 TC

Not shown,
in white RAL 9016



680 TP

TopPrestige
as shown in Hörmann finish
CH 703, interior in white RAL 9016

Stainless steel handle
HÖ 700 on aluminium
infill. Insulated glass,
exterior laminated safety
glass, interior Pave white.



Detail
of style 680,
lit from inside.



676 TP

TopPrestige as shown

676 TC

TopComfort not shown



Stainless steel handle HÖ 600 on aluminium infill.
Insulated glass, exterior laminated safety glass,
interior sand-blasted Parsol grey with clear squares
on top and bottom.

405

Aluminium canopy
in RAL 9016
Dimensions (mm)
2000 x 1000



650 TP

TopPrestige
as shown

650 TC
TopComfort
not shown

Stainless steel handle HÖ 700 on aluminium infill.
Insulated glass, exterior laminated safety glass,
interior Pave white.

650 TP

TopPrestige
as shown in
Hörmann finish
CH 703, interior in
white RAL 9016





Stainless steel handle
HÖ 700 on aluminium
infill.
Shown with rounded
fascia frame (optional).

650-9 TP

TopPrestige
in Hörmann finish CH 703,
interior in RAL 9016,
without side element

650-8 TP

TopPrestige
Shown with rounded
fascia frame
(optional).



Stainless steel handle HÖ 700 on aluminium infill.
650-8 Canadian Maple wood inlay,
650-9 Black Cherry wood inlay



680-9 TP

TopPrestige
in Hörmann finish CH 703,
interior white RAL 9016
Shown with rounded fascia
frame (optional).

680-8 TP

TopPrestige
Shown with rounded
fascia frame
(optional).



Stainless steel handle HÖ 700 on aluminium infill.



Stainless steel handle HÖ 700 on aluminium infill.

Styles 650 and 680 each come
with 2 wood inlay variants.
650-8/680-8 insulated glass,
exterior laminated safety glass
with special Canadian Maple
wood inlay, interior clear float
glass.
650-9/680-9 insulated glass,
exterior laminated safety glass
with special Black Cherry wood
inlay, interior clear float glass.

105

Stainless steel canopy
including acrylic glass

Dimensions
1600 x 900 mm

Dimensions
2000 x 1000 mm



62 TP

TopPrestige
as shown

62 TC

TopComfort
not shown



Stainless steel handle HÖ 200 on aluminium infill.
Insulated glass, exterior laminated safety glass,
interior Pave white, stainless steel base plate.

75 TC
TopComfort



Aluminium infill, handle 38-2,
insulated glass, exterior clear
laminated safety glass, interior
Mastercarré white.

75 TP
TopPrestige



Aluminium infill, handle 38-2,
insulated glass, exterior clear
laminated safety glass, interior
Mastercarré white.

2 TC

TopComfort
as shown,

2 TP
TopPrestige
not shown



Aluminium infill, handle 14-1,
insulated glass, exterior clear
laminated safety glass, interior
sand-blasted float glass with blue
embellishments in pane gap.

3 TP

TopPrestige
as shown,

3 TC
TopComfort
not shown



Aluminium infill, handle 38-2
insulated glass as in style 2,
but with sand-blasted squares.

686 TP

TopPrestige
as shown,

686 TC

TopComfort
not shown

Stainless steel handle
HÖ 600 on aluminium infill.
Insulated glass, exterior
Antelio silver, interior
sand-blasted float glass,
with stainless
steel embellishment
only on the exterior





860 TP

TopPrestige
as shown without
side elements and
transom lights

860 TC

TopComfort
not shown
Stainless steel handle
HÖ 700 on closed
aluminium infill with
stainless steel base
plate.

866 TP

TopPrestige
as shown,

866 TC

TopComfort
not shown

Handle 38-2
with stainless
steel squares and
stainless steel base
plate.

Handle HÖ 700
of style 860



165 TP

TopPrestige
as shown

165 TC

TopComfort
not shown

Stainless steel handle
HÖ 400 on aluminium
infill with stainless steel
side embellishments
and base plate, exterior
clear laminated safety
glass, interior Stopsol
blue, sand-blasted with
clear horizontal stripes.



185 TP

TopPrestige
as shown

185 TC

TopComfort
not shown,

Handle 38-2
Insulated glass,
exterior laminated
safety glass, interior
Mastercarré.

861 TP

TopPrestige
as shown without
side elements in
Hörmann Decograin®
Golden Oak surface,
with rounded fascia
frame as standard,
interior in white
RAL 9016



Side element with design glass infill 861 MG,
insulated glass, exterior laminated safety glass,
interior sand-blasted float glass with clear
horizontal stripes. Stainless steel handle HÖ 700
on aluminium infill.



861

TopPrestige
with design glass
side element
861 MG.

861 TP

TopPrestige
Shown with rounded
fascia frame (optional)

861 TC

TopComfort
not shown

693 TC

TopComfort, as shown,
without side element

693 TP

TopPrestige, not shown

Stainless steel handle HÖ 300
on aluminium infill with stainless
steel base plate.



On-site canopy



170 TP

TopPrestige
as shown without
side element

Shown with design glass
side element

170 TC
TopComfort
not shown

170 MG
Stainless steel handle
HÖ 300 on aluminium infill
and stainless steel base
plate, insulated glass,
exterior laminated safety
glass, interior clear float
glass with sand-blasted
squares.



173 TC

TopComfort
as shown

173 TP
TopPrestige
not shown

Stainless steel handle HÖ 300 on aluminium
infill and stainless steel base plate, insulated
glass, exterior laminated safety glass,
interior Pave white.



110 TP

TopPrestige
Shown with
rounded
fascia frame
(optional).

110 TC
TopComfort
not shown

Handle 38-1
Insulated glass, exterior
clear laminated safety
glass, interior Pave white.



140 TP

TopPrestige
Shown with
rounded
fascia frame
(optional).

110 TC
TopComfort
not shown

Handle 38-1
Insulated glass, exterior
clear laminated safety
glass, interior Pave white.



136 TP

TopPrestige
Shown with
rounded
fascia frame
(optional).

136 TC
TopComfort
not shown



166 TP

TopPrestige
Shown with
rounded
fascia frame
(optional).

166 TC
TopComfort
not shown

Handle 38-1
Insulated glass, exterior clear laminated
safety glass with sand-blasted stripes,
interior Satinato with sand-blasted stripes.

Handle 38-1
Insulated glass, exterior clear
laminated safety glass with sand-
blast stripes, interior Satinato
with sand-blasted stripes.



40 MG

Design glass side element, insulated glass, exterior partially matt laminated safety glass, interior clear, partially matt float glass (3-D effect).

40 TP

TopPrestige without side elements in Hörmann finish CH 703, interior white RAL 9016
Shown with rounded fascia frame (optional).





40 TP

TopPrestige
Shown with rounded
fascia frame
(optional).

Stainless steel handle HÖ 550 on
aluminium infill, insulated glass,
exterior partially matt laminated
safety glass, interior clear,
partially matt float glass
(3-D effect).



40-8 TP

TopPrestige
without side element, in
Hörmann finish CH 703,
interior in white RAL 9016
Shown with rounded fascia
frame (optional).



40-9 TP

TopPrestige
in Hörmann finish CH 703,
interior in white RAL 9016

Shown with rounded fascia
frame (optional).

Styles 40-8 and 40-9
Stainless steel handle
HÖ 550 on aluminium infill.
Insulated glass, exterior
laminated safety glass with
special, real wood inlay,
interior clear float glass.

Style 40-8
Canadian Maple wood inlay

Style 40-9
Black Cherry



40-8 TP
TopPrestige
Shown with rounded fascia
frame (optional).



40-9 TP
TopPrestige
Shown with rounded fascia
frame (optional).

705

Aluminium canopy
in RAL 9016
including covering,
surface-mounted
acrylic glass and
stainless steel plate,
dimensions (mm)
1600 x 900



694 TP

TopPrestige
as shown

694 TC

TopComfort
not shown

Stainless steel handle
HÖ 700 on aluminium
infill. Insulated glass,
exterior laminated
safety glass,
interior Reflo with
cross-shaped cut
ornamentation in pane
gap.



675 TP

TopPrestige
Shown with rounded
fascia frame
(optional)

675 TC
TopComfort
not shown

Handle 38-1
Insulated glass,
exterior laminated
safety glass,
interior Reflo with
cross-shaped cut
ornamentation in
pane gap.



694 TP

TopPrestige
as shown in
Hörmann Decograin®
Golden Oak surface,
with rounded fascia
frame as standard,
interior white
RAL 9016

Stainless steel handle
HÖ 700 on aluminium
infill. Insulated glass,
exterior laminated
safety glass,
interior Reflo with
cross-shaped cut
ornamentation in
pane gap.



413 TP
 TopPrestige
 as shown,
 without side element

413 TC
 TopComfort
 not shown

Handle 14
 Insulated glass,
 exterior laminated
 safety glass, interior
 Madras.



Detail of style 402



402 TP
 TopPrestige
 as shown,

402 TC
 TopComfort
 not shown

Handle 14-2
 Insulated glass,
 exterior laminated
 safety glass, interior
 Reflo, partially sand-
 blasted with cut
 ornamentation.

705

Aluminium canopy in white RAL 9016,
including covering, surface-mounted acrylic
glass and stainless steel plate
Dimensions 1600 x 900 mm



402 TP

TopPrestige
with design glass side
elements 402 MG



677 TP

TopPrestige
as shown

677 TC
not shown

Stainless steel handle
HÖ 600 on aluminium
infill. Insulated glass,
exterior laminated safety
glass, interior clear float
glass with sand-blasted
squares.



449 TC

TopComfort
without side
elements

449 TP
TopPrestige
as shown on
page 54

Handle 38-1
Insulated glass, exterior
laminated safety glass,
interior Reflo with fluted
glass squares.

Shown with slim side elements on
left and right, matching the door
style.



Detail of style 449



Side element
matching
door style,
handle 81-1.



Slim right side element matching the door style.



437 TC
TopComfort as shown,

Handle 81-1
Plastic infill, insulated glass, exterior concave Parsol bronze, interior Chinchilla white.



76 TC
TopComfort as shown,

Handle 29
Plastic infill, insulated glass, exterior clear float glass, interior Gothic white.



611 TC
TopComfort
as shown,
without side
elements



Slim side element
matching the door style.

Handle 14-2
Plastic infill, insulated
glass, exterior clear
laminated safety glass,
interior in Satinato with
flutes and bevels in the
glass gap.



827 TC

TopComfort
as shown
Handle 14-2
Plastic infill, insulated
glass, exterior float
glass, interior float
glass with off-set
sand-blasting in
3-D look

74 TC

TopComfort
as shown

Handle 92-2
Interior and exterior
plastic infill with
ornamental frame and
profiling. Insulated glass,
exterior clear float glass,
interior Gothic white.

Show your colours.

In addition to our standard colour in white RAL 9016, you can also choose a different colour for your Hörmann dream door. Pick a colour from the entire spectrum of RAL colours.



The gloss level for doors in RAL colours is approx. 20-30% (=matt) in accordance with ISO 28 13. The doors are optionally available with RAL colours on the interior, too.



680 TP

In RAL 7016 anthracite grey.



177 TP

Frame in RAL 9006 white aluminium. Infill in Hörmann finish CH G4.



694 TP

In RAL 6005 moss green.



860 TP

In RAL 9006 white aluminium.



45 TP

In RAL 5014 pigeon blue.



75 TP

Frame in Hörmann finish CH P7, Infill in Hörmann finish CH R7.

Unique glass designs for your Hörmann entrance door.

We have summarised the most important types of glass on the following two pages. Other types of glass can also be installed in your entrance door as an alternative to those shown here. Select your own stylish glass for your entrance door. Although scaled down, you can still see the typical characteristics of the glass structure and ornamentation in the following examples.



Clear sand-blasted float glass



Sand-blasted Parsol grey



Sand-blasted Stopsol grey



Sand-blasted Stopsol blue



Mastercarré



Masterpoint



Masterray



Masterligne



Pave white



597 white



Royal Trio white



Flutes



504 white



Silk white, textured



Ornamental Chinchilla white



Royal Flash white



Spotlyte white



Gothic white ornamental glass



Gothic bronze ornamental glass



Refl with cut ornamentation



Baroque white ornamental glass



Silvit ornamental glass 178 bronze



Ornamental glass Niagara white



Delta bronze ornamental glass



Cathedral white



Antique white ornamental glass



Madras Silk, etched

Additional handles at a glance.

The entrance doors shown in this catalogue all come with an exterior handle that matches the respective style. If, however, you prefer a different handle, we have listed a further selection on the following two pages.



14-1
Stainless steel with decorative centre piece



14-2
Brushed matt stainless steel



81-1
Polished brass



11-1
Matt stainless steel



21-1
White plastic



21-2
Black plastic



91-2
Brushed stainless steel



92-2
Brushed matt stainless steel



HÖ 400
Brushed matt stainless steel



HÖ 900
Brushed matt stainless steel with decorative handle piece



38-1
Stainless steel with decorative centre piece



38-2
Brushed matt stainless steel



HÖ 500
Brushed matt stainless steel



29-1

Solid brass, bronzed



61-4

Long escutcheon security handle, white



61-1

Long escutcheon security handle, aluminium



62-4

Long escutcheon security handle with exterior knob, white



62-1

Long escutcheon security handle with exterior knob, aluminium

+ mm + = dimension between axes



26-1

White aluminium



26-2

Brown aluminium (or RAL to choose)



27-1

White plastic
27-2 Black plastic



94-2

Brushed matt stainless steel



HÖ 550

Brushed matt stainless steel



HÖ 600

Brushed matt stainless steel



HÖ 700

Stainless steel with decorative centre piece



HÖ 300

Brushed matt stainless steel



HÖ 200

Brushed matt stainless steel



HÖ 100

Brushed matt stainless steel

Hörmann rail entrance doors ...



Style 203 possible with special glazing on request.

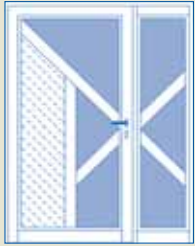
Rail doors are so popular because they offer almost unlimited design options. Division of the rails, different types of glazing, as well as a combination of glass and other infills. All this makes rail doors unique among entrance doors. This is the entrance door variant for almost any type of individual design.

203

Individual manufacturing according to builder specifications. With aluminium panel infill and thermal insulation glass for door.

Handle 92-2, Insulated glass, exterior laminated safety glass, interior sand-blasted float glass (approx. 13 days delivery time) without side element.





262



264



240



This beautiful entrance door was specifically manufactured according to the builder's specifications.



100

Handle 94-2.
Thermal insulation glass,
exterior Mastercarré, interior
laminated safety glass.



101

Handle 38-2.
Thermal insulation glass,
exterior Mastercarré, interior
laminated safety glass.

Styles 100 and 101 in RAL 9016
white, approx. 13 days delivery time.

... and with letter box systems.

Combined with a bell button, light button, and intercom mesh, all integrated in a high-quality stainless steel panel, the letter slots are installed in a thermally insulated aluminium panel infill plate. There is no need for difficult installation in brickwork, as they can be easily installed in the side element.



TopComfort 75 TC
Handle 38,
side elements with
letter box system for
4-family building
(each one row).

Design examples:



2-family building, 1 row



6-family building, 3 rows



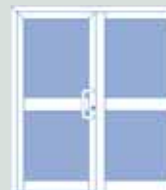
4-family building, 2 rows



1-family building, 1 row

Note:
The shown letter
box systems require

Styles 100 and 101
also with side
elements, transom
lights, and horizontal
rails in the fast-track
programme.



101

Handle 27-1
Side element with
letter box system
for 6-family building
(3 rows), thermal
insulation glazing,
exterior clear
laminated safety
glass, interior
Mastercarré.

605

Aluminium canopy in Hörmann finish CH 703 including acrylic glass, dimensions 2000 x 1000 mm

4

45-5 TP

Stainless steel handle on aluminium infill in Hörmann finish CH 703. Insulated glass, exterior clear laminated safety glass, interior sand-blasted float glass with clear horizontal stripes.



605

Aluminium canopy in RAL 9016 including acrylic glass, dimensions 2000 x 1000 mm



705

Aluminium canopy in RAL 9016 including covering, surface-mounted acrylic glass and stainless steel plate, dimensions 1600 x 900 mm



Hörmann's proven canopies.

Finish off the entrance area with a matching canopy to protect you and your guests from the wind and rain. Six different models are available to fulfil all your wishes for an individually-designed entrance.



105

Stainless steel canopy including acrylic glass, dimensions 1600 x 900 mm
Dimensions 2000 x 1000 mm

Side fascia in stainless steel, single-pane safety glazing, height 2000 mm, depth 900 mm (top)

505

Aluminium canopy in RAL 9016, including acrylic glass, dimensions 2000 x 1000 mm



405

Aluminium canopy in RAL 9016, including acrylic glass, dimensions 2000 x 1000 mm



The highest quality and security as standard.

High security with a special H-5 security pivoting bolt lock. Every one of Hörmann's aluminium entrance doors are equipped with the H-5 security package. When locked, 3 steel bars with 2 additional hooks "pivot" into the stainless steel lock plates (at top and bottom). The pivoting bolt lock makes the door leverage-proof. As a result: 5 times more security with Hörmann's H-5 security package.

The beautifully shaped **security rose escutcheon** additionally protects the profile cylinder against drilling and twisting off. Available in white and stainless steel.

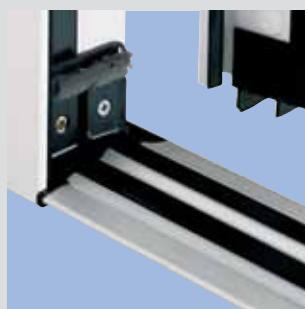


Reversible security key



Extremely sturdy and thermally insulated 80 mm wide threshold

The EV1 silver colour threshold with thermal break and an invisible bottom fixing hole is ideal for both new and old constructions.





Sturdy hinges

Sturdy, 2-part, 3-way adjustable hinges with plastic bushes and stainless steel pivot ensure more security and a smooth door function. Three-part hinges available on request.



Solid security bolt

A stainless steel bolt extends into the fascia frame when the door is locked. This prevents the hinge-side of the door from being lifted out or pushed in.



Beautifully shaped interior lever handle. Shown in stainless steel. As standard in stove-enamelled white.



TopComfort interior

Rounded glazing bead with mitre cut.



TopPrestige interior

Without glazing bead and without visible seal on the entrance door leaf.



TopPrestigePlus interior

Covering the entire leaf, without glazing bead or a visible leaf profile. Slim guide rollers. Also available in stainless steel on request.

Additional security and equipment – investments that are always worth it.

In addition to the already-mentioned basic security equipment, Hörmann also offers a full package of additional options.

S-5 automatic security package (shown)

Automatic security for your entrance door with automatic multiple locking when pulled closed. To open from the inside, simply press the interior lever handle and your Hörmann entrance door will open. Only one key is needed to open from the outside, as well as with other models. Operation is completely simple, but with far greater security.

Approved by the German Property Insurance Association (VdS class A).

S-5 automatic security package with integrated steel bar (S-5S and S-5S automatic)

An integrated steel bar that only lets you open your Hörmann entrance door a bit and prevents unwanted guests from pushing in the door provides even more security.



S-5 Comfort security package (not shown)

A multiple self-locking lock can be easily opened electrically **from the inside** at the press of a button (e.g. via the intercom system)

S-5 Comfort Plus security package

Internal actuation at the press of a button as with the S-5 Comfort package, opening from outside via remote release (transponder technology) with the **"electronic key"** and without touching the door. It's just as easy to open as a Hörmann garage door or car door.



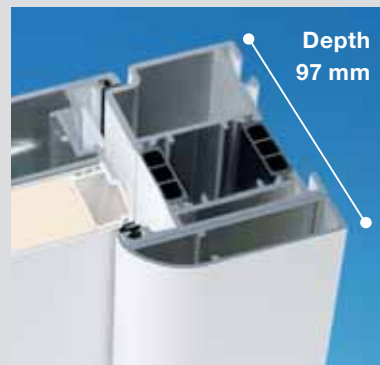
You can also conveniently open your Hörmann garage door with the "electronic key".





The rounded fascia frame

Optional. An impressive and beautiful design option for your entrance door.



S-5 comfort scan security package

Open your entrance door from the outside with a finger-scan system, doing away with the need for a house key.



Available in white or a stainless steel version. You can also equip your garage door with a finger-scan system.

Quality assurance system in accordance with DIN ISO 9001

All entrance doors provided by Hörmann are produced in line with the ISO 9001 quality assurance system. Hörmann's motto also shines through here: "Quality without Compromise"



CE mark in accordance with EN 14351- Valid from 1 February 2009

With the CE mark, we certify the conformity of our entrance doors with the EU directives in accordance with EN 14351-1 and compliance with the most important requirements set out therein.



450 Door style



Matching doors.

The new Design Line makes this possible in a unique way. If up until now the entrance door was your home's sole "visiting card", you can now afford your garage door the very same status.

693 TC Entrance door style

453 Door style



170 TC Entrance door style



457 Door style

188 TC Entrance door style

62 Door style →



TopComfort, TopPrestige, TopPrestigePlus – matching entrance and garage doors.

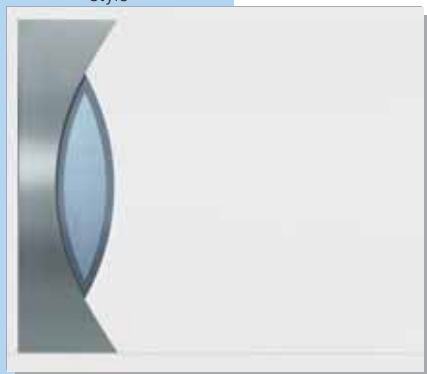
With the new Hörmann Design Line you stamp your own personal mark on your house and garage, thereby setting your property apart from the rest. Thanks to the many design variations with stylishly arranged elements, these Design Line garage doors, particularly when combined with a Design Line entrance door, become real eye-catchers and an expression of your own high standards and impeccable taste.



45 Door style

689 TP Entrance door style

689 Door style



41 Door style

41 TC Entrance door style



62 TC Entrance door style

45 TC Entrance door style

Renovating an entrance ...

Experienced and professional fitters install the new entrance door properly and reliably.



During installation, the entrance door is precisely adjusted to ensure optimum function right from the start.

Thanks to a special threshold, transitions from the inside to the outside are nicely covered. Fastening to the bottom is done using concealed screws.

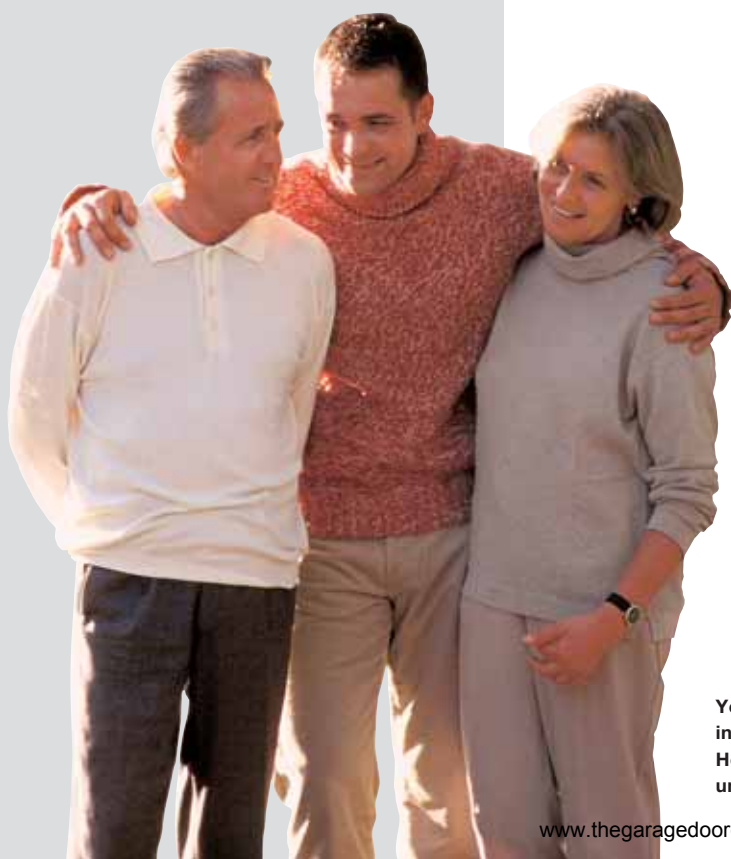


... is child's play with a Hörmann entrance door



The entrance to our home was totally changed within just a few hours and we are thrilled.

Take the old door out and simply put the new one in. At first, we were a bit scared of taking this step. The uniqueness and flexibility of a Hörmann entrance door, as well as the large selection of beautiful door styles, are really worth it, particularly when renovating. Everything was planned and manufactured according to our specifications and installation was done in no time at all. We now feel safe, thanks to the solid construction and high-quality of this Hörmann entrance door, and will even save quite a bit on energy costs. Our specialised Hörmann dealer provided us with such good and reliable advice.



**You can request more
informational material on other
Hörmann products in the Internet
under www.hoermann.com.**

Hörmann: Quality without Compromise



Hörmann KG Amshausen



Hörmann KG Antriebstechnik



Hörmann KG Brandis



Hörmann KG Brockhagen



Hörmann KG Dissen



Hörmann KG Eckelhausen



Hörmann KG Freisen



Hörmann KG Ichttershausen



Hörmann KG Werne



Hörmann Genk NV, Belgium



Hörmann Beijing, China



Hörmann Gadco LLC, Vonore TN, USA

Hörmann is the only manufacturer worldwide that offers you a complete range of all major building products from one source.

We manufacture in highly-specialized factories using the latest production technologies.

The close-meshed network of sales and service companies throughout Europe, and activities in the USA and China, make Hörmann your strong partner for first-class building products, offering „Quality without Compromise“.

GARAGE DOORS

OPERATORS

INDUSTRIAL DOORS

LOADING EQUIPMENT

HINGED DOORS

DOOR FRAMES

Hörmann (UK) Ltd, Gee Road, Coalville, Leicestershire LE67 4JW
Phone (01530) 513000, Fax (01530) 513001

