

**// Safety at its best**  
**All garage doors conforming to European Standard BS EN 12604**



# Series 2000 Garage Doors

Superior Design, Engineering Excellence



## **Hörmann offers you one major advantage: You are buying the quality of the original**

Advanced technology and design that has been developed through more than 50 years of garage door production at Hörmann.

With a wide variety of door designs, all of which provide a long and outstanding security - in a quality difficult to match.



4	Steel garage doors
6	Timber garage doors
8	GRP garage doors
10	Open for infill garage doors
12	Size chart
13-16	The full range at a glance with optional extras
17	Size chart
18	Out with the old, in with the new
20	Garage door operator for added comfort and security
22-25	Design and quality features
26-29	Sizes and installation details



Hörmann (Series 2000) garage doors are assembled at the new Hörmann factory in Leicestershire from components sourced from both the continent and the U.K.

Some of the doors shown in this brochure have special features and therefore do not always represent a standard supplied version.

Copyright. No part of this brochure may be reproduced without our prior approval. We reserve the right to make changes.

**NEW** Attractive handles,  
page 16  
Highest safety Standard  
to BS EN 12604,  
pages 22-25

# Hörmann steel garage doors Contemporary Classics Outstanding performance

Hörmann Series 2000 steel garage doors are undeniably attractive in appearance and manufactured to the highest standards of quality and finish.

Whether choosing one of the ribbed designs that offer a quiet elegance to blend in with almost any environment, or one of the panelled designs that give a lasting prestige of classical beauty.



The standard colour of the steel door range is Traffic white (based on RAL 9016) in a tough powder-coated finish that is both attractive and durable. Some of the styles and sizes are also available in Terra brown (based on RAL 8028) powder-coated finish. (Further details of sizes and styles of this finish are available upon request).



The steel doors are available in a comprehensive range of standard sizes from 6'6" x 6'6" to 14'0" x 7'0" depending on the style required. The optional factory-fitted steel frame is recommended. These frames are finished in the same tough powder-coated colour as the door, therefore making an attractive and complete door set.



As with all Hörmann doors, the steel garage door range offers superior design, engineering excellence and outstanding security. Nothing matches Hörmann precision, quality and value for money.



If you are looking for a side entrance door to match your garage door the Hörmann side door range will meet your requirements.





## Hörmann timber garage doors Traditional design, Superior Quality



As a matter of policy and in support of conservation, the cedarwood used is only obtained from properly managed forest sources where there is a continuous replanting process.





The main material used for these panels is cedarwood, with its finely figured grain and variation in colour. Whatever the style of your property, traditional or modern

architecture, our styles of timber doors in either panelled or tongued and grooved design, offer you the choice to find a style that will add warmth and character to your home.



The natural beauty of crafted wood has a lasting appeal and at Hörmann we take great care to provide a range of styles that will enhance any home.



Attention to detail and high quality joinery are the hallmarks of Hörmann Series 2000 timber doors. Each hand-crafted panel is secured into our open-for-infill leaf frame. This is to ensure stability and to keep all working parts acting on steel components, avoiding stress on the timber panel thus giving many years of trouble-free operation.

Since wood is a natural material, the finish of the doors supplied may vary from those shown in this brochure. Please note also that some movement of components and joints may occur, particularly in changes of weather from very wet to hot sunshine.



# Hörmann GRP garage doors

## Elegant appearance, Lasting durability

Glass Reinforced Polyester, often referred to as fibreglass, is a tough, flexible and durable material.



With finely moulded detail and exceptionally high quality finishes, Hörmann GRP doors give a look and feel of beauty and distinction.



All GRP doors are secured within Hörmann open-for-infill steel leaf frames to ensure stability and to keep all working parts acting on steel components, thus avoiding stress on the panel.





There are many beautiful styles to choose from in the Hörmann GRP range of garage doors. Offering the choice from rustic designs to modern panels that give the feel and impression of natural wood.



# Design your very own timber door: You cut the timber to size. The frame and struts are pre-drilled at 30 mm spacings.

This pre-drilling of the 2011 design is a major benefit. It makes for easy fitting every time, regardless of whether the timber boarding is arranged vertically, horizontally, in a chevron/rhombus or individually designed.



Once fitted, it is essential that you treat your door with a proprietary wood preservative to protect it against UV rays as well as fungal and insect attack.

If you would like to give your door a coloured appearance, please use a pigmented wood preservative.

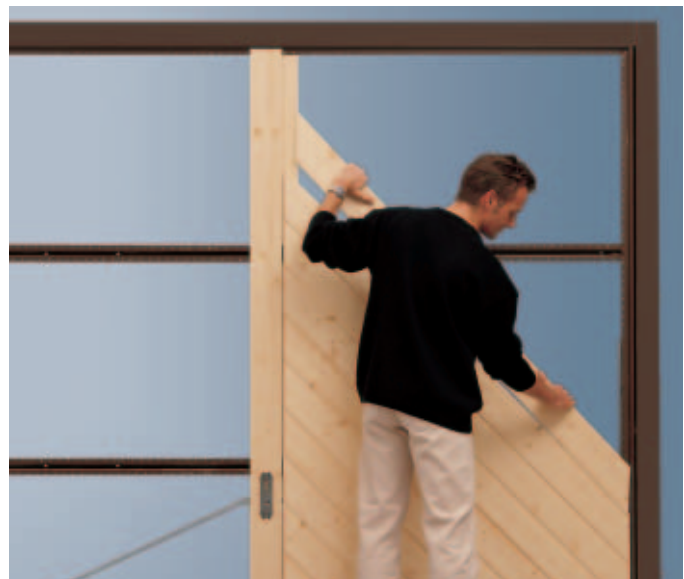
If you choose a chevron design, your garage door could look like this. Matching, for example, a timber-clad house gable and the entrance door. The 2011 design gives you full creative freedom.



It goes without saying that the 2011 design is also available for double garages. But please note the maximum infill weights (page 26).

## This is the solid basis

- **Extremely sturdy frame construction through reinforced struts. Fully welded!**
- **Fully galvanized, door leaf frame additionally powder-coated. Rust doesn't stand a chance!**
- **Both frame and struts pre-drilled at 30 mm spacings.**
- **Illustrated fitting instructions for the boarding featuring four suggested designs**

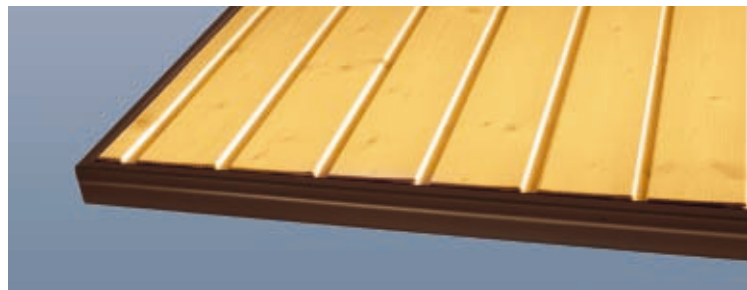




**This door construction offers you two design options:**



Infill overlapping the frame, whereby the frame and bottom section are entirely concealed.



Timber infill within the frame.

# Out with the old, in with the new. Quick and clean all on the same day!

"We're delighted that everything has gone so well. The new garage door blends in much better with the style of the house and the old garage door was disposed of at the same time. Our only regret is that we didn't invest in the door and an electric operator years ago."



## Practical accessories: a job worth doing is worth doing well.



### Rubber floor seal for an unbroken flat floor line

For garages with an unbroken flat floor line, the flexible, weather-proof rubber seal helps keep out driving rain, hail and snow.

### Fascia panels and renovation panels

In the case of renovations, the structural opening can sometimes be higher and wider than the more favourably-priced standard-sized garage door. Hörmann solves this problem by offering aesthetically-pleasing top and side fascia panels to close the gaps. If masonry is damaged on removing the old garage door, a renovation panel (see photo) provides a neat solution without the need for any further plastering. (See also page 26).





**Extras for thermal insulation**

We can supply thermal insulation boards which come in a standard pack and are simply cut and clipped to the inside of the garage door.



**4-Point locking**

As a DIY retrofit kit for all non power-driven up-and-over doors. Also available as a factory-fit option with the door. It provides even greater security from your garage door being forced open.

# Hörmann Series 2000 garage doors...

		TIMBER DOORS										OFI		GRP DOORS																	
Designs		2024 ASHBY		2025 HAMBLETON		2026 WHITWICK		2019 GARAGE LIGHT		2020 GATCOMBE		2011 OPEN-FOR-INFILL		2041 CONISTON		2042 WINDER-MERE		2046 HAZEL-BURY		2034 PENS-HURST		2035 HART-FIELD		2045 MAYFIELD		2040 LIVING-STONE		2044 STAM-FORD		STEEL FRAME	
CAN = Canopy doors RET = Retractable doors																															
CODE	OPENING SIZE	CAN	RET	CAN	RET	CAN	RET	CAN	RET	CAN	RET	CAN	RET	CAN	RET	CAN	RET	CAN	RET	CAN	RET	CAN	RET	CAN	RET	CAN	RET	CAN	RET	CAN	RET
6666	6'6" x 6'6"			•	•							•	•																•	•	
6670	6'6" x 7'0"			•	•							•	•																•	•	
61064	6'10" x 6'4"											•	•																•	•	
7064	7'0" x 6'4"											•	•																•	•	
7066	7'0" x 6'6"	•	•	•	•	•	•	•	•	•	•	•	•	•	•	•	•	•	•	•	•	•	•	•	•	•	•	•	•	•	
7070	7'0" x 7'0"	•	•	•	•	•	•	•	•	•	•	•	•	•	•	•	•	•	•	•	•	•	•	•	•	•	•	•	•	•	
7364	7'3" x 6'4"											•	•																•	•	
7566	7'5" x 6'6"	•	•	•	•	•	•	•	•	•	•	•	•	•	•	•	•	•	•	•	•	•	•	•	•	•	•	•	•	•	
7570	7'5" x 7'0"	•	•	•	•	•	•	•	•	•	•	•	•	•	•	•	•	•	•	•	•	•	•	•	•	•	•	•	•	•	
7664	7'6" x 6'4"											•	•																•	•	
7666	7'6" x 6'6"	•	•	•	•	•	•	•	•	•	•	•	•	•	•	•	•	•	•	•	•	•	•	•	•	•	•	•	•	•	
7670	7'6" x 7'0"	•	•	•	•	•	•	•	•	•	•	•	•	•	•	•	•	•	•	•	•	•	•	•	•	•	•	•	•	•	
7864	7'8" x 6'4"											•	•																•	•	
8064	8'0" x 6'4"											•	•																•	•	
8066	8'0" x 6'6"			•	•	•	•	•	•	•	•	•	•	•	•	•	•	•	•	•	•	•	•	•	•	•	•	•	•	•	
8070	8'0" x 7'0"			•	•	•	•	•	•	•	•	•	•	•	•	•	•	•	•	•	•	•	•	•	•	•	•	•	•	•	
9066	9'0" x 6'6"											•	•	•	•					•	•							•	•		
9070	9'0" x 7'0"											•	•	•	•					•	•							•	•		
1466	14'0" x 6'6"		•		•		•		•		•		•																	INCL	
1470	14'0" x 7'0"		•		•		•		•		•		•																	INCL	

# Series 2000 Steel doors

The steel door range consists of nine designs in a Traffic white finish (RAL 9016) and up to twenty sizes. Some of our designs are available in Terra brown finish (RAL 8028), more details available upon request.

## Window options

The Georgian design (2304) is available with windows as an optional extra for 7'0" x 7'0" and 14'0" x 7'0" sizes. Decorative windows are available with crystal panes in these three designs:



Standard



Style 1



Style 2



**2001** Vertical



**2002** Horizontal



**2003** Chevron



**2004** Georgian



**2104** Marquess



**2404** Kingston



**2504** Countess



**2304** Georgian with windows, Style 1



**2101** Ilkley

# Series 2000 Timber doors

For those whose choice is timber doors our extensive range offers design features that will harmonise with and enhance any property. The eleven styles shown here cover traditional to modern tastes, and are all hand-crafted to our high specification.

It should be noted that the beauty of cedarwood consists in the warm variations of colour within each door, giving you the real value of a natural product.



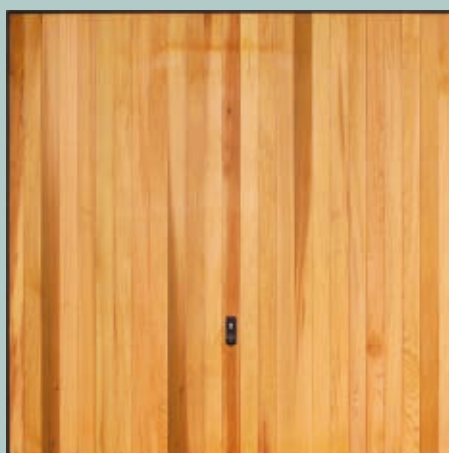
2007 Jacobean



2008 Tudor



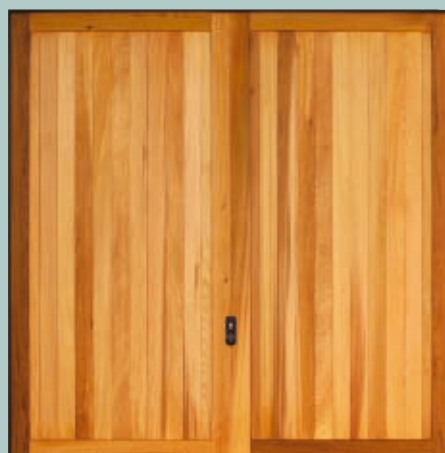
2014 Rutland



2009 Vertical



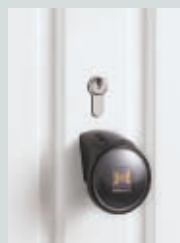
2010 Chevron



2013 Caxton

## Beautiful handles add value to your door

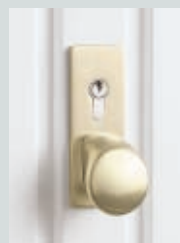
These new handles give you an even better grip. Set against garage doors they make a very elegant impression. An attractive alternative to the standard black plastic handle.



Black plastic standard



Cast aluminium new silver finish



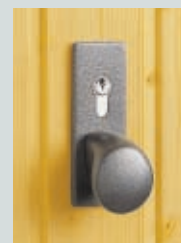
Cast aluminium brass finish



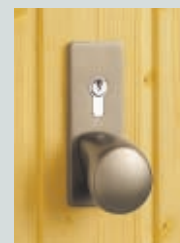
Cast aluminium stainless steel finish



Cast aluminium white (RAL 9016)



Cast aluminium rustic style



Cast aluminium bronze finish



**Design your own door with the open-for-infill frame (Design 2011)**

The Hörmann open-for-infill skeleton frame is perfectly prepared to accept a timber infill of your own design.

The minimum infill weight is 6 kg per sq.mtr. and the max. infill weight is 10 kg per sq.mtr.

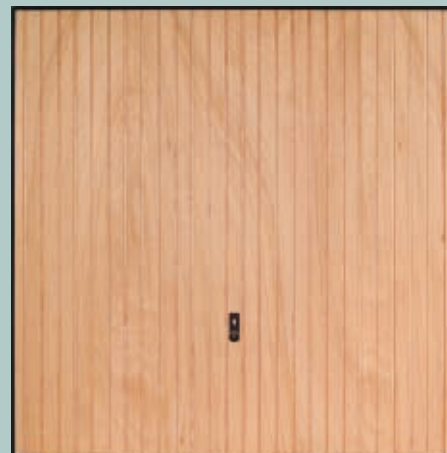
The leaf frame, incorporated with fixing holes spaced at 30 mm intervals, makes it easy for you to apply your own timber boarding.



2024 Ashby



2025 Hambleton



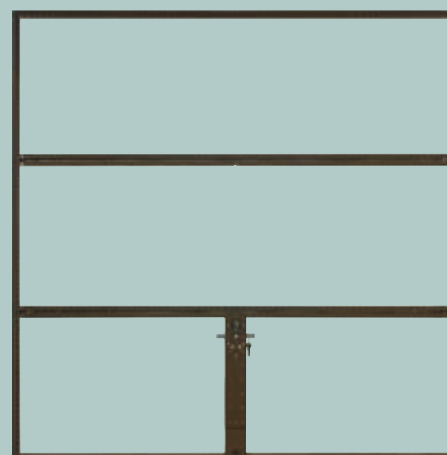
2026 Whitwick



2019 Garage Light

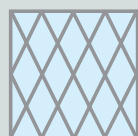


2020 Gatcombe



2011 Open-for-infill

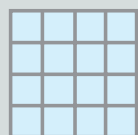
## Lead light designs for timber and GRP doors



Diamond

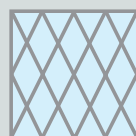
**Windows for timber doors**

For the design 2019 Garage Light windows of tough durable perspex are used.



Square

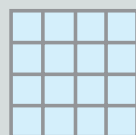
These are available either clear or stippled opaque and can be plain or with diamond or square simulated 'leaded light' appearance (please advise when ordering).



Diamond

**Windows for GRP doors**

For design 2041 Coniston, 2042 Windermere and 2043 Kielder windows are available in either plain, diamond or square design leading on either translucent or smoked perspex. 2040 Livingston is only available with Black perspex whilst the 2044 Stamford is available with all three options (please advise when ordering).



Square

# Series 2000 GRP doors

Low maintenance is an important factor to many householders, our GRP range offers not only this, but a range of designs that will compliment all architectural requirements. The Coniston and Stamford designs available in brilliant gloss white.

With all the other timber effect doors having the options of Matt White, Mahogany, Dark Oak and Cherry Oak we are sure you will find a colour to fulfil your needs.

Note, due to the manufacturing process "woodgrain effect" doors may vary slightly in colour.



2041 Coniston \*



2042 Windermere - Wide grain



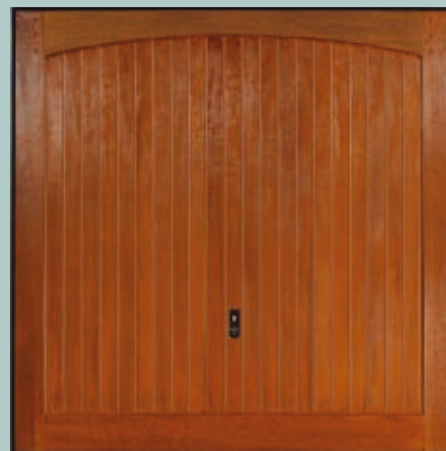
2046 Hazelbury - Close grain



2034 Peshurst - Wide grain



2035 Hartfield - Wide grain



2045 Mayfield - Close grain



2040 Livingston - Close grain



2044 Stamford \*

\* Whilst Coniston and Stamford use White OFI (based on RAL 9016) on 7'0" and 7'6" wide doors, 8'0" and 9'0" doors use Brown OFI (based on RAL 8028) and therefore will not be as pictures shown.

		STEEL DOORS														TIMBER DOORS												
Designs		2001 VERTICAL	2002 HORIZONTAL	2003 CHEVRON	2004 GEORGIAN	2104 MARGUESS	2404 KINGSTON	2504 COUNTESS	2304 GEORGIAN-WIN	2101 ILKLEY	2007 JACOBEAN	2008 TUDOR	2014 RUTLAND	2009 VERTICAL	2010 CHEVRON	2013 CAXTON	STEEL FRAME											
CAN = Canopy doors RET = Retractable doors																												
CODE	OPENING SIZE	CAN	RET	CAN	RET	CAN	RET	CAN	RET	CAN	RET	CAN	RET	CAN	RET	CAN	RET	CAN	RET	CAN	RET	CAN	RET	CAN	RET			
6666	6'6" x 6'6"	●	●	●	●			●	●																	●	●	
6670	6'6" x 7'0"	●	●	●	●			●	●																		●	●
61064	6'10" x 6'4"	●	●	●	●			●	●																		●	●
7064	7'0" x 6'4"	●	●	●	●			●	●																		●	●
7066	7'0" x 6'6"	●	●	●	●	●	●	●	●	●	●	●	●	●	●	●	●	●	●	●	●	●	●	●	●	●	●	●
7070	7'0" x 7'0"	●	●	●	●	●	●	●	●	●	●	●	●	●	●	●	●	●	●	●	●	●	●	●	●	●	●	●
7364	7'3" x 6'4"	●	●	●	●			●	●																		●	●
7566	7'5" x 6'6"	●	●	●	●			●	●																		●	●
7570	7'5" x 7'0"	●	●	●	●			●	●																		●	●
7664	7'6" x 6'4"	●	●	●	●			●	●																		●	●
7666	7'6" x 6'6"	●	●	●	●	●	●	●	●	●	●	●	●	●	●	●	●	●	●	●	●	●	●	●	●	●	●	●
7670	7'6" x 7'0"	●	●	●	●	●	●	●	●	●	●	●	●	●	●	●	●	●	●	●	●	●	●	●	●	●	●	●
7864	7'8" x 6'4"	●	●	●	●			●	●																		●	●
8064	8'0" x 6'4"	●	●	●	●			●	●																		●	●
8066	8'0" x 6'6"	●	●	●	●	●	●	●	●	●																	●	●
8070	8'0" x 7'0"	●	●	●	●	●	●	●	●	●																	●	●
9066	9'0" x 6'6"		●		●			●																				●
9070	9'0" x 7'0"		●		●			●																				●
1466	14'0" x 6'6"		●		●		●		●																			INCL
1470	14'0" x 7'0"		●		●		●		●																			INCL

# Hörmann SupraMatic

## The intelligent operator for your garage door

There are no tedious adjustments to be made. On first-time opening and closing, the intelligent electronics already tune themselves to your garage door.

The patented toothed belt guides the door super smoothly and super quietly into the end-of-travel position.

It requires no greasing and no oiling, so there's nothing to drip onto your car roof. Just as it should be.



### Why would you want to settle for less?

- Over 1 billion security codes
- "Soft" start and "soft" stop
- Patented door security kit
- Bright reflector lamp
- Top-grade stainless steel cover
- Entirely maintenance-free
- Simple to operate
- Energy-saving



The hand transmitters are pre-programmed at the factory with one of more than 1 billion possible codes, thus offering you maximum security!

The hand transmitters feature two buttons as standard. This means that in addition to opening the garage door, you can, for instance, also switch on the outdoor lighting.

On request they are also available with four buttons and in mini-size as well as in a 2-button micro version.

Further practical accessories: key switches, digital coder, interior buttons, key switch post.

**Obtain our specialist brochure for further details.**



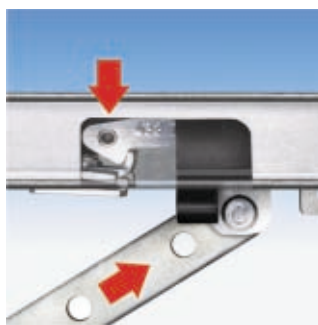


**Door and operator are TÜV-tested as a safety unit.**  
 Don't be satisfied with less.



**No trap risk  
 That's intelligent safety**

In the event of an obstruction, the automatic cut-out halts the closing door and raises it approx. 30 cm, so nothing and no-one can get trapped. The automatic cut-out is self-testing as well as self-adjusting, if necessary during every door cycle.



**No-one else offers  
 this level of security**

Every time the door closes, the door security kit engages in the boom's limit stop. An effective way of making sure that your garage door cannot be forced open (a Hörmann patent). The door security kit is a mechanical device, so it is always fully functional, even during a power failure.



**Using the universal fitting  
 the operator is always easy  
 to fit**

Because Hörmann makes both: the door and the operator. That's what makes subsequent fitting so easy because the door is already pre-drilled for the standard universal fitting.

Retractable Doors.

# Safer, quieter and in line with the new standard BS EN 12604. The quality of the original is seen in the details



### Safe finger trap protection and side trap guard

By flexible weather seals on door leaf and frame as well as PVC covers for the lifting arms. 2 lifting arm covers are delivered ready-to-fit on site.



### Always a good grip

From the outside via the compact Hörmann quality round section handle, from the inside via "T" handle and pull rope. The cylinder lock can be integrated into the building's master locking system. If the house is entered directly from the garage, the garage door can also be locked from the inside.

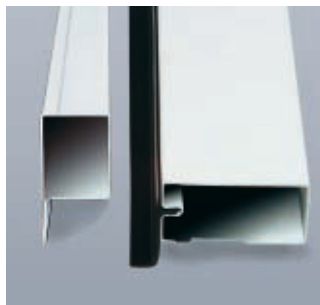
### Buffer stop prevents door leaf from sliding back

Once fully opened, the door is gently cushioned and always brought to a safe, reliable stop.



### 4-point locking

If even more security is required a 4-point locking arrangement is available as a factory-fitted optional extra.



### Sturdy steel frame

Galvanized mild steel, welded into a wide robust box section construction gives the optional door frame great strength and stability. The finish is powder-coated.



Single Door

### Security latching

Two-point latching as standard via adjustable latches automatically engaging in each bottom corner.



Double Door



Doors are TÜV-tested as a safety unit.



**Extremely sturdy door construction**

A wide special box section frame (for double garages with block frame) and door leaf reinforcement through two additional horizontal steel profiles.



Single Door



Double Door

**Extremely smooth and particularly quiet door action**

Everything is perfectly matched: the four-point suspension, the precision track guidance, the smooth-running plastic rollers, the adjustable spring units and the plastic profiles down the sides. (With double garages at the top as well as the bottom as foot trap protection).



Single Door



Double Door

**Multiple tension springs with finger trap protection**

Optimally dimensioned, adjustable spring units guarantee reliable permanent function and a smooth action in every door position. The minimum distance between the spring windings effectively eliminates the risk of trapped fingers.



The benefits also apply to doors fitted to a timber frame



Single Door



Double Door

**Easy fitting**

Framed single up-and-over door: pre-assembled ready to fit.

Double up-and-over doors for double garages: in separate units (door leaf, frame, accessories).

Both doors complete with: fixing materials including progressively adjustable universal brackets and illustrated fitting instructions.

## Canopy Doors.

# Modern and safe design meeting all the requirements of the new BS EN 12604 standards



### Hörmann canopy doors are very easy to install

The complete door is pre-assembled ready for site installation. Infinitely adjustable universal anchors, fixing accessories and well illustrated fitting instructions make installation quick and easy.



### No steel-to-steel contact

Hard-wearing plastic strips integral with the vertical frames prevent steel-to-steel contact with the door leaf. Bushes in all door bearings, including the rollers, are made of wear-resistant plastic.

### Smooth operation

The large diameter roller travels smoothly in the vertical tracks making door operation effortless.

### Strength and stability

The tubular steel lifting arms ensure the door is held safely throughout its operation.



### 2-point latching

Protects against unauthorized opening of the door and guarantees safe, quiet locking. Hard PVC latches in tough zinc die-cast housings engage automatically and quietly at either side into steel latch keeps.

### Anti-fall safeguard

The side tracks feature punch-outs at 100 mm spacings. In the event of a cable or spring breaking, the bolt can fully engage in the hole, thereby safely arresting the door. To provide trap protection, the holes are covered over with plastic tape which is perforated by the bolt as soon as the safeguard comes into play.





Doors are TÜV-tested as a safety unit.



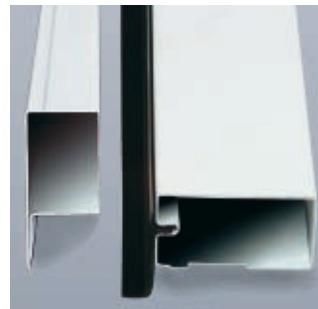
**Spring protection, safe stop**

The spring is zinc coated to prevent against corrosion. A buffer stop and spring clip are incorporated into the top of the vertical track to quietly stop the door and then help retain it in the fully opened position.



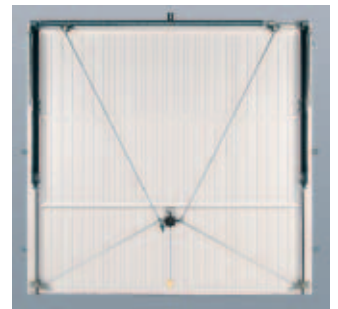
**Cable drum**

The cable drum is die-cast alloy and has deep grooves to retain the 2.4 mm diameter cable.



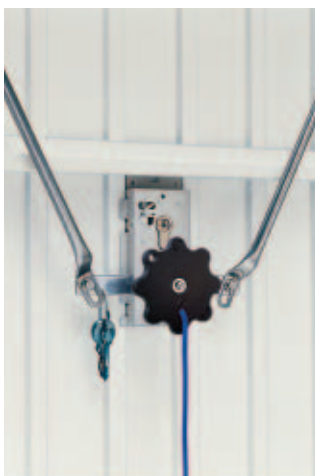
**Sturdy steel frame**

Galvanized mild steel, welded into a wide robust box section construction gives the optional door frame great strength and stability. The finish is powder-coated.



**4-point locking**

If even more security is required a 4-point locking arrangement is available as a factory-fitted optional extra.



**Security locking**

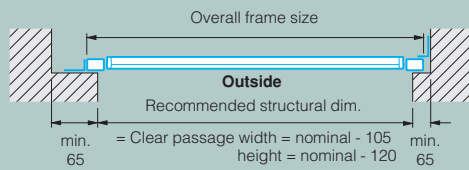
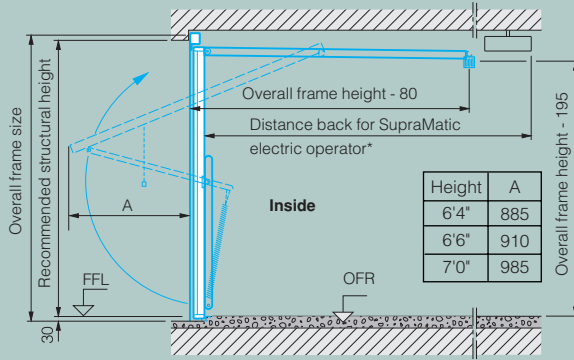
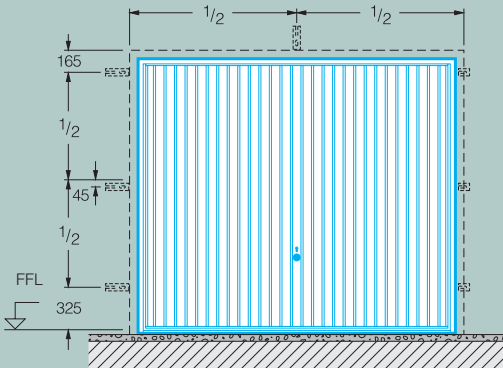
Factory-fitted profile cylinder locking is a standard feature. Two keys are provided for outside locking. Inside locking is by a snib positioned on the lock body. An internal "T" handle is also supplied. Master key locking is an optional feature.



The benefits also apply to doors fitted to a timber frame

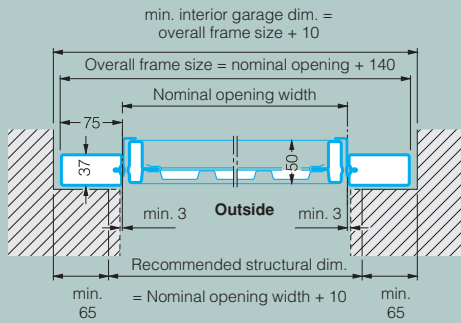
# Fitting details for Series 2000 retractable gear

## Position of anchors



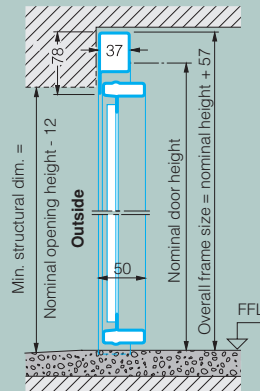
\* Distance back for SupraMatic electric operator:  
3100 mm up to door height 2375 mm  
3350 mm up to door height 2625 mm  
4100 mm up to door height 2750 mm

## Fitting behind the opening



The recommended structural dimensions are recommended planning dimensions. Minimum sideroom, headroom and opening sizes are all based on these dimensions.

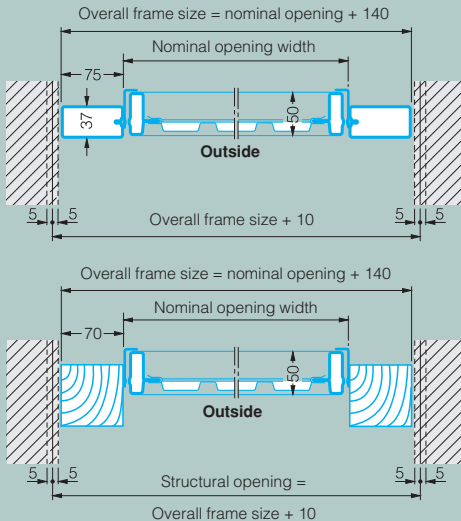
## Door with flat floor



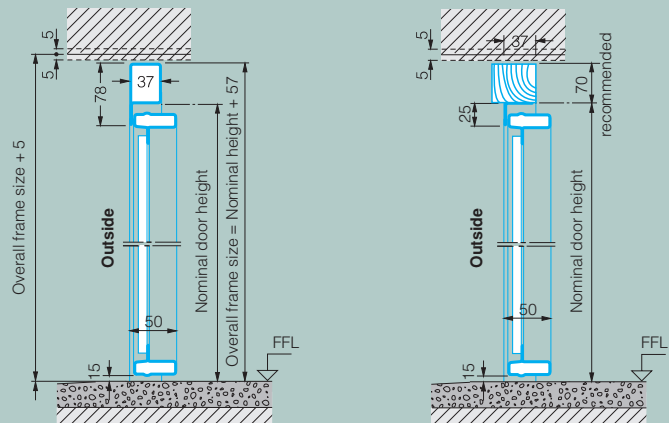
### With SupraMatic operator

\* No additional headroom required.  
Exception: some timber designs allow 15 mm clearance.

## Fitting in the opening



Fitting in the opening requires that the given dimensions be adhered to with greater accuracy.



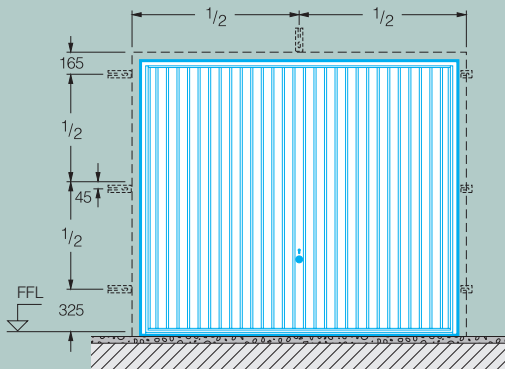
### With SupraMatic operator

No additional headroom required.  
Exception: some timber designs allow 15 mm clearance.

# Fitting details for Series 2000 canopy gear



## Position of anchors

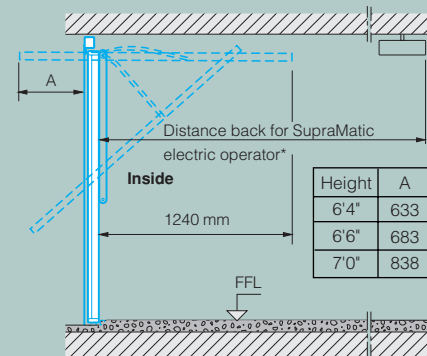


### Clear passage:

Width: nominal opening less 40 mm (1½") only within bottom 1/3 due to flexible seals.

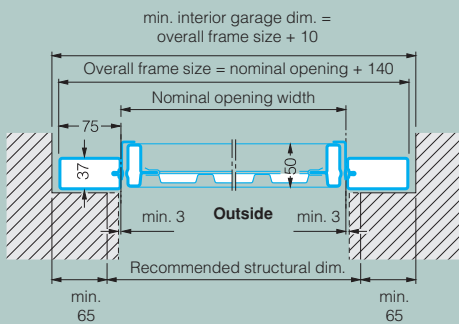
### Height:

nominal door height - 140

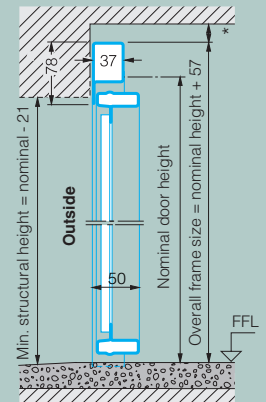


For doors with operator 40 mm headroom above top crossframe required. (Overall frame size + 40 mm)

## Fitting behind the opening

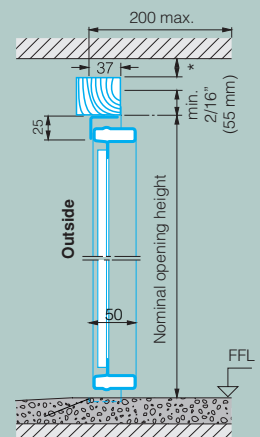
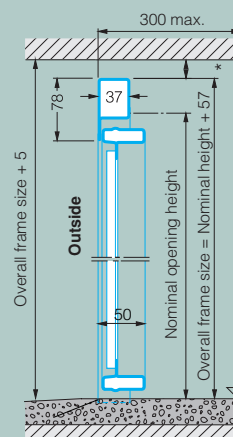
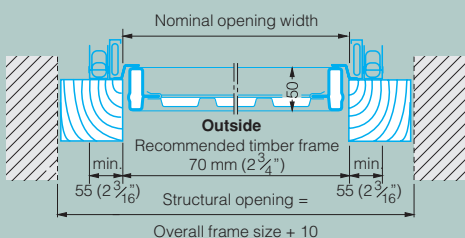
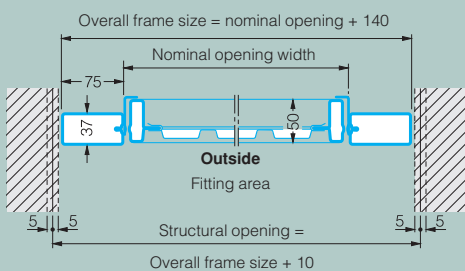


Behind opening installation with the Hörmann steel frame allows for a wider range of structural openings to be spanned, this can be particularly helpful with non-standard openings which would normally require special sized doors. The diagrams show the minimum tolerances that should be adhered to. PLEASE NOTE: the overall frame sizes are shown as additions to the nominal opening sizes.



\* 40 mm headroom required for operator

## Fitting in the opening



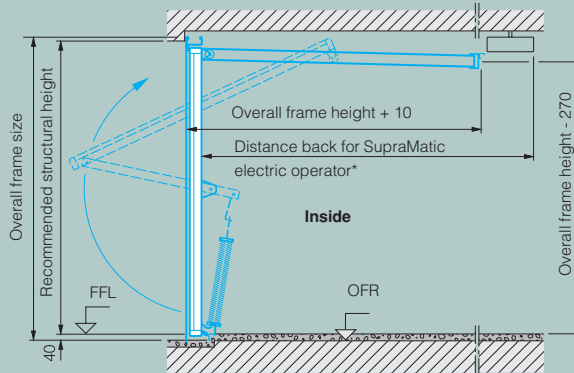
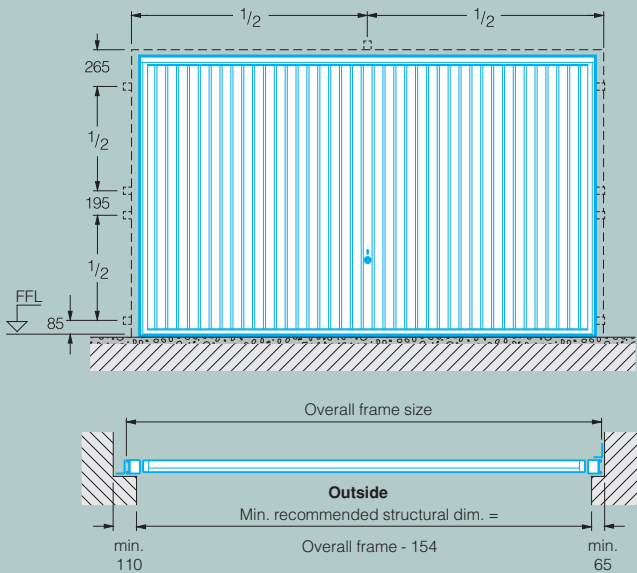
\* 40 mm headroom required for operator

The size chart gives the structural opening sizes for each door size, this frame is the standard 2 ¾" (70 mm) square. A narrow application gear is provided for doors to be fixed to timber frames allowing the frame to be a minimum of 2 ⅝" (55 mm) square if required, allowing the door to be fitted to smaller structural opening.

**For overall dimensions of Hörmann steel frame, add 5 ½" (140 mm) to nominal opening width and 2 ¼" (57 mm) to nominal opening height.**

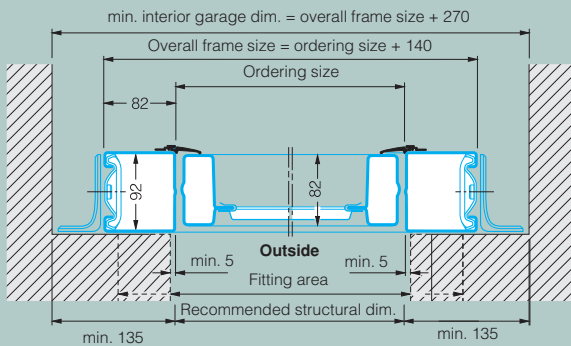
# Fitting details for door type DF 98

## Position of anchors



\* Distance back for SupraMatic electric operator:  
 3100 mm up to door height 2375 mm  
 3350 mm up to door height 2625 mm  
 4100 mm up to door height 2750 mm

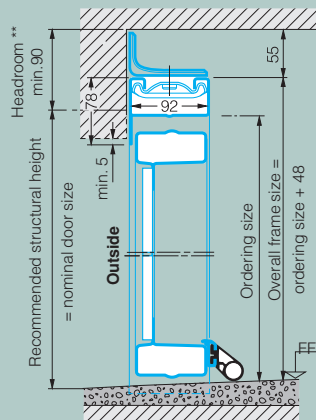
## Fitting behind the opening



The recommended structural dimensions are recommended planning dimensions. Minimum sideroom, headroom and opening sizes are all based on these dimensions.

Note for standard sizes: if the sideroom ranges between 65 mm and 135 mm, state this on the order for between well fixing brackets.

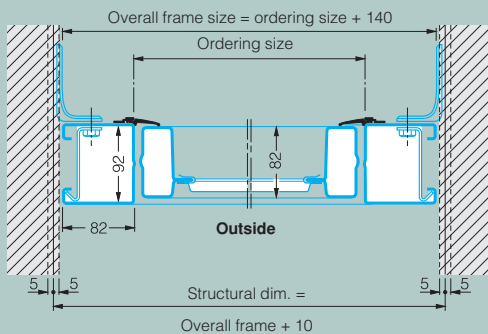
## Door with flat floor



### With SupraMatic operator

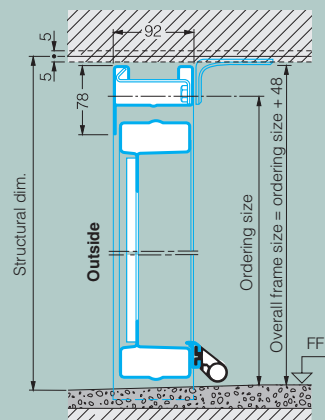
\*\* 65 mm clearance

## Fitting in the opening



Fitting in the opening requires that the given dimensions be adhered to with greater accuracy, particularly where standard-sized doors are concerned. Special-sized doors are purpose-built for the existing structural opening.

## Door with flat floor



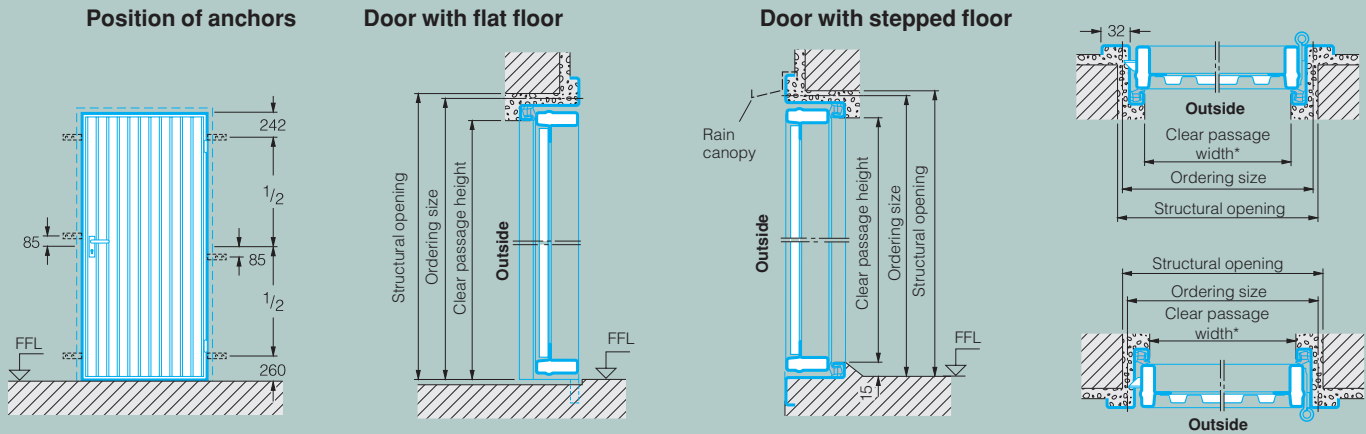
### With SupraMatic operator

65 mm clearance required



# Fitting details for garage side doors

## Single-leaf



Standard sizes for single-leaf doors				Dimensions in mm			
Ordering size (BR)		Structural opening		Clear passage dimensions			Height of lever handle from FFL
Width	Height	Width	Height	Width	with threshold Height	without threshold Height	
875	1875	885	1880	830	1840	1855	990
875	2000	885	2005	830	1965	1980	1050
875	2125	885	2130	830	2090	2105	1110
1000	2000	1010	2005	955	1965	1980	1050
1000	2125	1010	2130	955	2090	2105	1110

For doors with a stepped floor, opening outwards, the ordering height is always measured from the finished floor line of the deeper floor.

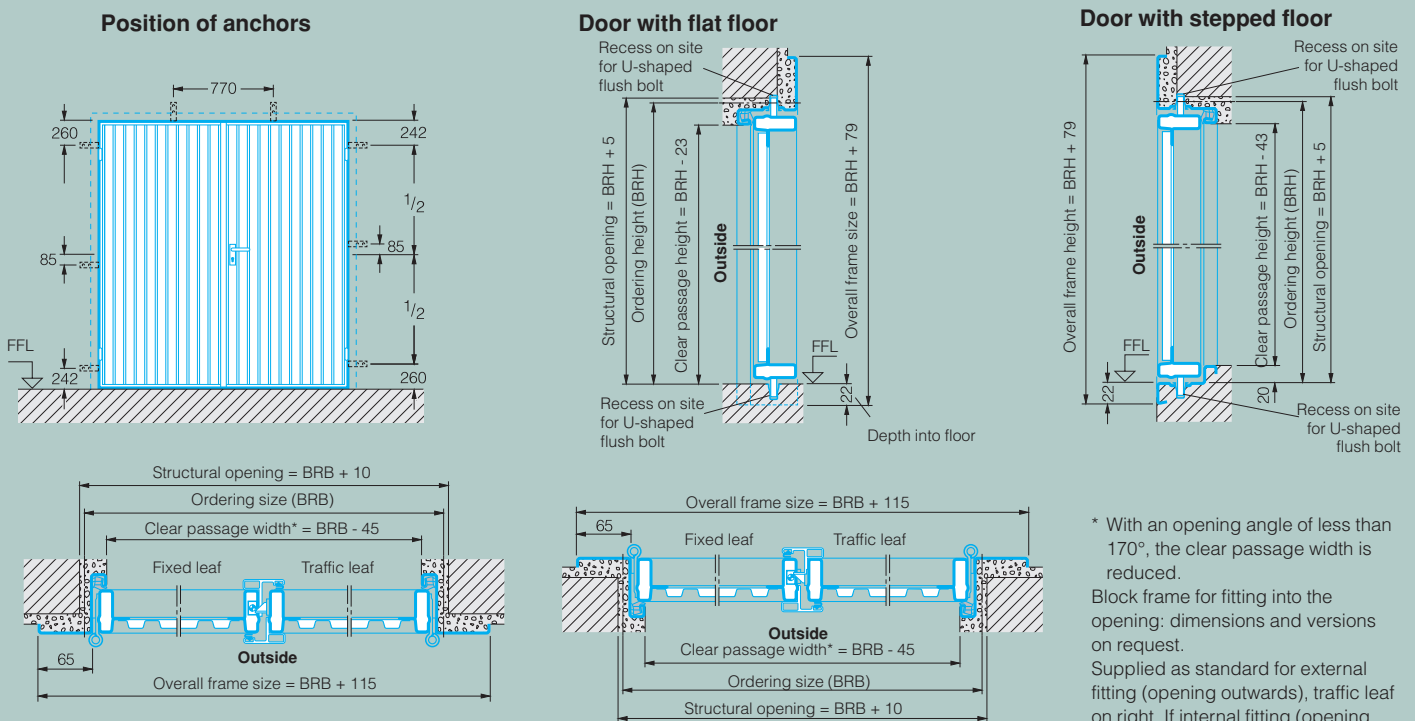
Standard sizes with steel infill and for site infill are supplied as standard for internal fitting (opening inwards). By reversing the fittings, the doors can be converted to external fitting (opening outwards). Designs with timber infill only possible for external fitting.

\* With an opening angle of less than 170°, the clear passage width is reduced.

Block frame for fitting into the opening: dimensions and versions on request.

Special sizes and special versions on request. Maximum size range (BR): 1250 x 2375 mm.

## Double-leaf



\* With an opening angle of less than 170°, the clear passage width is reduced.

Block frame for fitting into the opening: dimensions and versions on request. Supplied as standard for external fitting (opening outwards), traffic leaf on right. If internal fitting (opening inwards) or traffic leaf on left required, state on order.

**Single-leaf**

RH hinged LH hinged

**Double-leaf**

Traffic leaf LH hinged Traffic leaf RH hinged

**Internal fitting**

For internally fitted doors, the threshold angle/transport angle should always be removed. Adequate water drainage to the outside must then be ensured.

**Single-leaf**

RH hinged LH hinged

**Double-leaf**

Traffic leaf LH hinged Traffic leaf RH hinged

**External fitting**

With threshold profile.

www.thegaragedoorcentre.co.uk

**Size range for double-leaf doors**

Width (ordering size): from 1300 to 2500 mm

Height (ordering size): from 1750 to 2250 mm

Panelled designs only up to BRB = 2000 mm

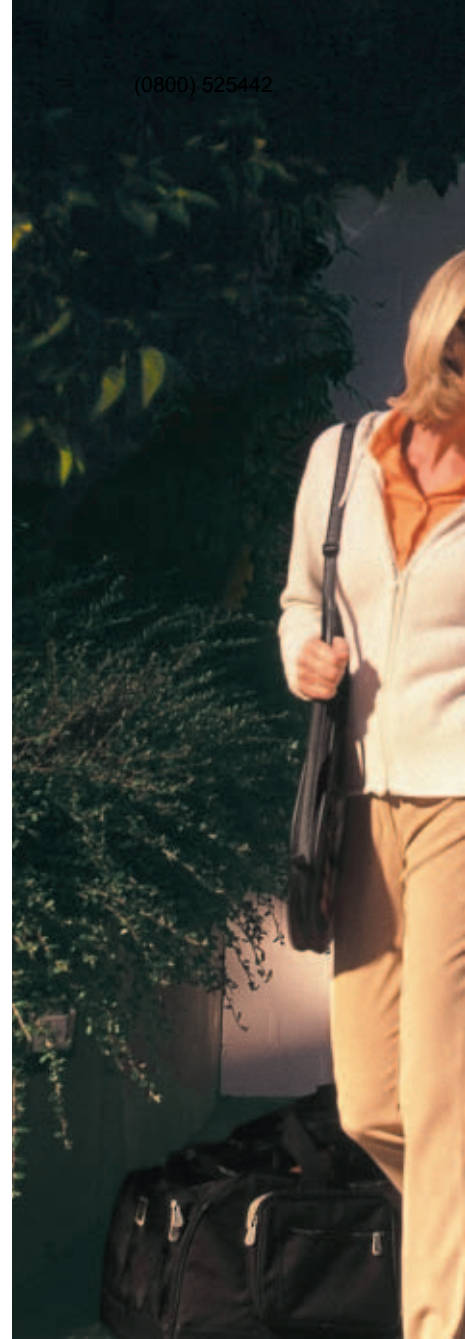
# Sound Planning with a Strong Partner

## Hörmann Garage Door Operators

Advanced technology for convenient operation of your garage door.

## Hörmann Sectional Garage doors

For convenience and security right from the start.



### Hörmann Gate Operators

Offering the complete operator package for security and convenience.



### Hörmann security doors

Offering protection suitable for almost any area.



### Hörmann Multi-purpose doors

In steel and aluminium.



### Hörmann sectional doors

In steel and aluminium, single and double-skinned. Also as high-speed doors.



Request a copy of our specialist brochure from your Hörmann specialist.



**Hörmann high-speed doors**  
With flexible curtain, opening vertically or horizontally.



**Hörmann speed rolling shutters**  
Non-contact roll-up technology. In aluminium, double-skinned.



**Hörmann rolling shutters**  
In steel and aluminium, single and double-skinned, with operator as standard.



**Hörmann folding doors**  
In steel and aluminium, single and double-skinned. Also as high-speed folding doors in aluminium.